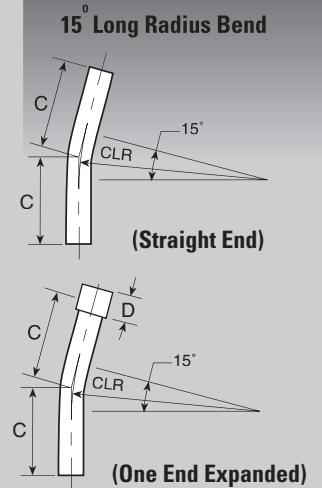


15° Long Radius Bends

• Standard PVC Tubing

OD	CLR	C CENTER TO END DIMENSION	D	WALL THICKNESS	PART NUMBER
4.5"	20"	6.5"	-	.120"	P451520
4.5"	20"	6.5"	5"	.120"	P451520-C*

* SLIP COUPLING ONE END. EXTENDS 2.5" BEYOND TUBE LENGTH (C).
• NOMINAL STANDARD TANGENT IS 4"

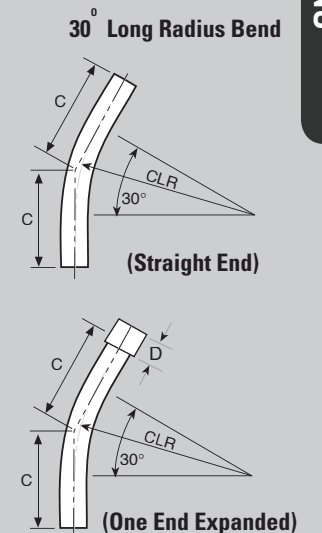


30° Long Radius Bends

• Standard PVC Tubing

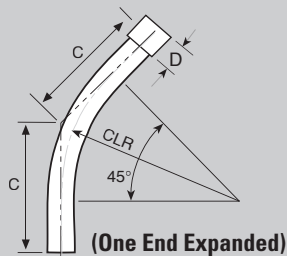
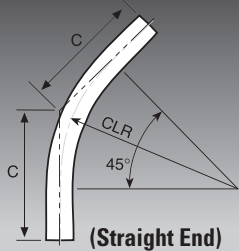
OD	CLR	C CENTER TO END DIMENSION	D	WALL THICKNESS	PART NUMBER
4.5"	20"	9.25"	-	.120"	P453020
4.5"	20"	9.25"	5"	.120"	P453020-C*

* SLIP COUPLING ONE END. EXTENDS 2.5" BEYOND TUBE LENGTH (C).
• NOMINAL STANDARD TANGENT IS 4"

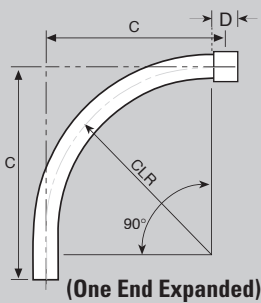
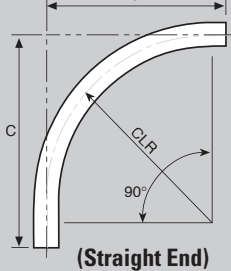


Standard PVC Long Radius Bends

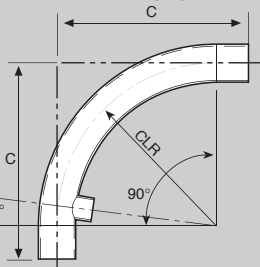
45° Long Radius Bends



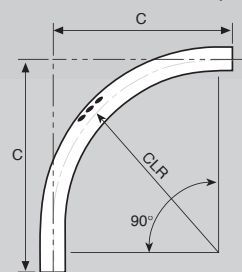
90° Long Radius Bend



90° Long Radius Bend with Air Relief



P459020-AR
Stud is 2-1/2" Nominal Pipe OD



P409048-AR
(6) 1-1/8" ID Holes
(Center holes are located at 45°)

45° Long Radius Bends

• Standard PVC Tubing

OD	CLR	C CENTER TO END DIMENSION	D	WALL THICKNESS	PART NUMBER
4.5"	20"	12.25"	-	.120"	P454520
4.5"	20"	12.25"	5"	.120"	P454520-C*

* SLIP COUPLING ONE END, EXTENDS 2.5" BEYOND TUBE LENGTH (C).
• NOMINAL STANDARD TANGENT IS 4"

90° Long Radius Bends

• Standard PVC Tubing

OD	CLR	C CENTER TO END DIMENSION	D	WALL THICKNESS	PART NUMBER
4.5"	20"	24"	-	.120"	P459020
4.5"	20"	24"	5"	.120"	P459020-C*

* SLIP COUPLING ONE END, EXTENDS 2.5" BEYOND TUBE LENGTH (C).
• NOMINAL STANDARD TANGENT IS 4"

90° Long Radius Bends with Air Relief

• Standard PVC Tubing

• Part variations are easily accommodated.

OD	CLR	C CENTER TO END DIMENSION	D	WALL THICKNESS	PART NUMBER
4.5"	20"	24"	-	.120"	P459020-AR

• NOMINAL STANDARD TANGENT IS 4"

KEY

OD = Outside Diameter
CLR = Center Line Radius
ID = Inside Diameter

H-P Products, Inc. • 800.860.TUBE (8823)

Fax: 330.875.7155 • www.hpproducts.net