

# Standard Long Radius Bends

## Straight Ends

• Zinc-Coated (Galvanized) Steel

A OD	B CLR	C CENTER TO END DIMENSION	TAN	GAUGE	PART NUMBER
2-1/4"	18"	23"	3-7/8"	20	29218
2-1/4"	24"	31-1/4"	6-1/8"	20	29224
2-1/4"	42"	53"	6"	20	29242
3"	24"	31-1/2"	6"	18	39224
3"	30"	37-1/2"	6"	18	39230
3"	38"	50"	8-1/4"	18	39238
3"	48"	62-3/4"	13-1/4"	18	39248
4"	36"	49-1/2"	11-7/16"	16	49236
4"	48"	63-1/4"	13-1/4"	16	49248
4"	60"	74"	12"	16	49260
4-1/2"	20"	27-7/8"	5-5/16"	16	45220
4-1/2"	24"	37-3/4"	11-1/2"	16	45224
4-1/2"	30"	43-3/4"	11-1/2"	16	45230
4-1/2"	48"	63-1/2"	13-1/4"	16	45248
4-1/2"	60"	75-1/8"	12-7/8"	16	45260
6"	30"	46-1/2"	13-1/2"	16	69230
6"	36"	48"	12"	16	69236
6"	48"	73-3/8"	22-3/8"	16	69248
6"	60"	75-7/8"	12-7/8"	16	69260
4" X 7" (FLAT BEND)	48"	70-7/16"	22-7/16"	16	70248*
4" X 7" (EDGE BEND)	48"	71-1/16"	23-1/16"	16	7E248**
4" X 7" (FLAT BEND)	60"	84"	24"	14	70260*
4" X 7" (EDGE BEND)	60"	84"	24"	14	7E260**

\* NEUTRAL AXIS THRU 7" DIMENSION

\*\* NEUTRAL AXIS THRU 4" DIMENSION

## One End Expanded (ID of Expansion = Tube OD)

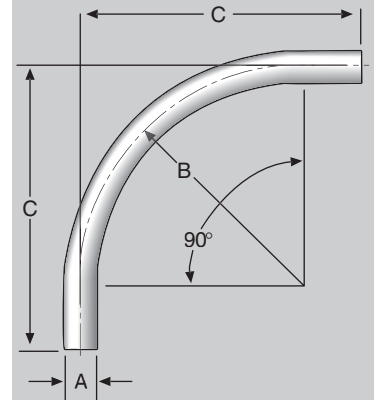
• Zinc-Coated (Galvanized) Steel

A OD	B CLR	C CENTER TO END DIMENSION	D EXP DEPTH	TAN	GAUGE NUMBER	PART NUMBER
2-1/4"	18"	23"	1-3/4"	3-7/8"	20	29218-1
2-1/4"	24"	31-1/4"	1-3/4"	6-1/8"	20	29224-1
2-1/4"	42"	53"	1-3/4"	6"	20	29242-1
3"	24"	31-1/2"	2-1/8"	6"	18	39224-1
3"	30"	37-1/2"	2-1/8"	6"	18	39230-1
3"	38"	50"	2-1/8"	8-1/4"	18	39238-1
3"	48"	62-3/4"	2-1/8"	13-1/4"	18	39248-1
4"	36"	49-1/2"	3-3/4"	11-7/16"	16	49236-1
4"	48"	63-1/4"	3-3/4"	13-1/4"	16	49248-1
4"	60"	74"	3-3/4"	12"	16	49260-1
4-1/2"	20"	27-7/8"	3-3/4"	5-5/16"	16	45220-1
4-1/2"	24"	37-3/4"	3-3/4"	11-1/2"	16	45224-1
4-1/2"	30"	43-3/4"	3-3/4"	11-1/2"	16	45230-1
4-1/2"	48"	63-1/2"	3-3/4"	13-1/4"	16	45248-1
4-1/2"	60"	75-1/8"	3-3/4"	12-7/8"	16	45260-1
6"	30"	46-1/2"	4-3/4"	13-1/2"	16	69230-1
6"	36"	48"	4-3/4"	12"	16	69236-1
6"	48"	73-3/8"	4-3/4"	22-3/8"	16	69248-1
6"	60"	75-7/8"	4-3/4"	12-7/8"	16	69260-1
4" X 7" (FLAT BEND)	48"	70-7/16"	4-3/4"	22-7/16"	16	70248-1*
4" X 7" (EDGE BEND)	48"	71-1/16"	4-3/4"	23-1/16"	16	7E248-1**

\* NEUTRAL AXIS THRU 7" DIMENSION

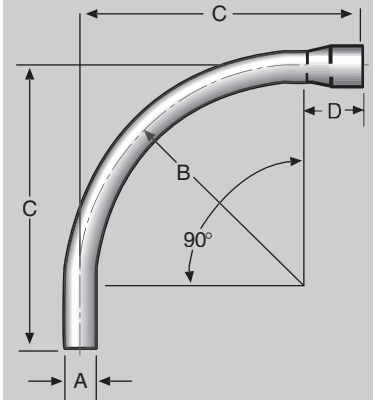
\*\* NEUTRAL AXIS THRU 4" DIMENSION

METAL TUBING



90° Long Radius Bend (Straight End)

Air Relief Bends are Available



90° Long Radius Bend (One End Expanded)



H-P Products, Inc. • 800.860.TUBE (8823)

Fax: 330.875.7155 • www.hpproducts.net